



A

FEED AND BIOFUEL HAMMER MILL SPROUT 22", SERIES 5

A rugged, compact hammer mill; perfect for use in distilleries as well as other fine grinding and industrial applications.

STANDARD FEATURES:

- Heavy bearing supports = 3/4" steel plate with 3/8" steel supports
- Hi-speed rotor (up to 3600RPM)
- 2 7/16" pillow block bearings
- "Flow-through" housing design
- Low profile integral motor base
- Full rotor length sliding access doors
- Mechanical door interlock on hammer mill (no ignition source at mill)

ANDRITZ

ENGINEERED SUCCESS

DESIGN AND OPERATION

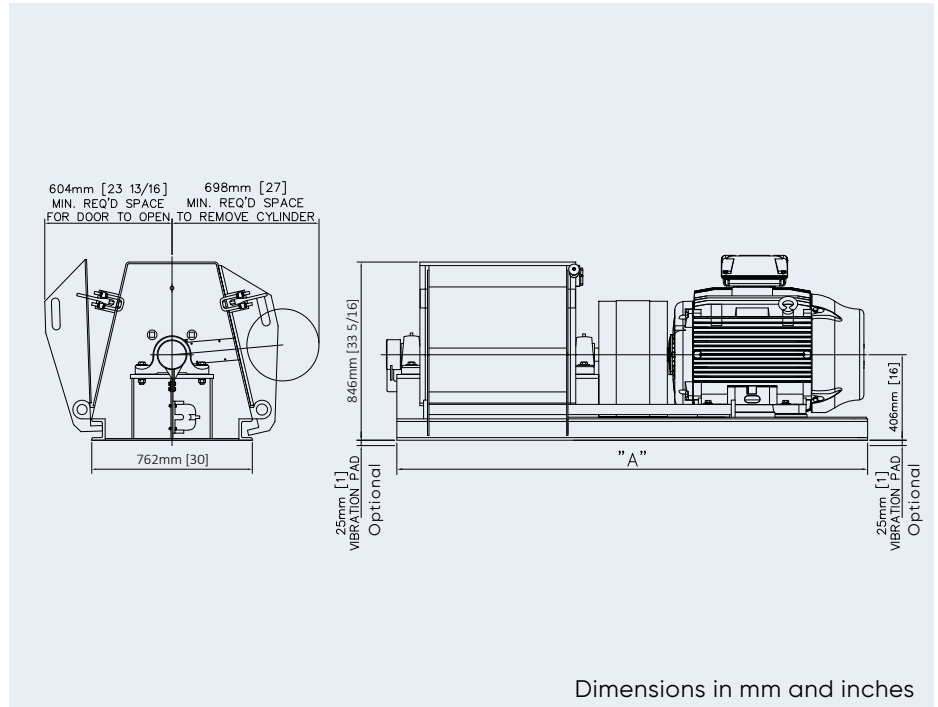
- Heavy-duty rotor assembly dynamically balanced for operation up to 3600 RPM (ultra-fine grinding)
- Four hinge pin locations provide versatility.
- Hammer tip speeds up to 105 m/s [20,724 ft/min]

ANDRITZ ADVANTAGES:

- Unique hinge pin access for easy and safe replacement.
- Slotted housing to remove rotor assembly without moving hammer mill.
- Keyed door interlock system ensures no interior access until rotor is completely stopped.
- No tools required to open door clamps.

OPTIONS:

- Pneumatic control valve for inlet diverter
- Inlet spout with magnet
- Rotary vane pocket feeder with magnet
- Stone separator with magnet and rock trap
- Multiple screw feeder with surge bin
- Pneumatic pick-up pan discharge
- Vibration isolation pads
- Vibration switch



TECHNICAL DATA

Model	"A" Dimension		Power Range		Motor Speed		Weight excl. motor		Screen Area	
	[inch]	mm	HP		RPM	lbs.	kg.	sq. in.	sq. m.	
2212	[67"]	170	25 - 75		1800 - 3600	1260	572	740	0.48	
2218	[75"]	191	50 - 100		1800 - 3600	1540	700	1070	0.69	
2224	[88"]	224	50 - 150		1800 - 3600	1685	765	1454	0.94	

ANDRITZ Feed and Biofuel A/S

andritz-fb.dk@andritz.com

p: +45 72 160 300 / andritz.com/ft

ANDRITZ Feed and Biofuel USA

andritz-fb.us@andritz.com

p: +1 570 546 1253

ANDRITZ

All data, information, statements, photographs and graphic illustrations in this leaflet are without any obligation and raise no liabilities to or form part of any sales contracts of ANDRITZ AG or any affiliates for equipment and/or systems referred to herein. © ANDRITZ AG 2021. All rights reserved. No part of this copyrighted work may be reproduced, modified or distributed in any form or by any means, or stored in any database or retrieval system, without the prior written permission of ANDRITZ AG or its affiliates. Due to legal requirements, we must inform you that ANDRITZ AG processes your data for the purposes informing you about the ANDRITZ GROUP and its activities. Find out more details about our data privacy declaration and your rights under the data protection legislation on our website: andritz.com/privacy. ANDRITZ AG, Stattegger Strasse 18, 8045 Graz, Austria.



1 0221

2253 US