

FEED AND BIOFUEL FILTER TYPE DFAK

The DFAK filter is a compact, reverse-jet fabric filter for decentralized filtration of dust in connection with mechanical and pneumatical conveyance. The compact dimensions of this filter make it particularly suitable for built-on purposes, for example aspiration on conveyors, elevators, hoppers, and silos. The filters can be mounted horizontally or vertically and are suitable for both new and existing plants.

ADVANTAGES

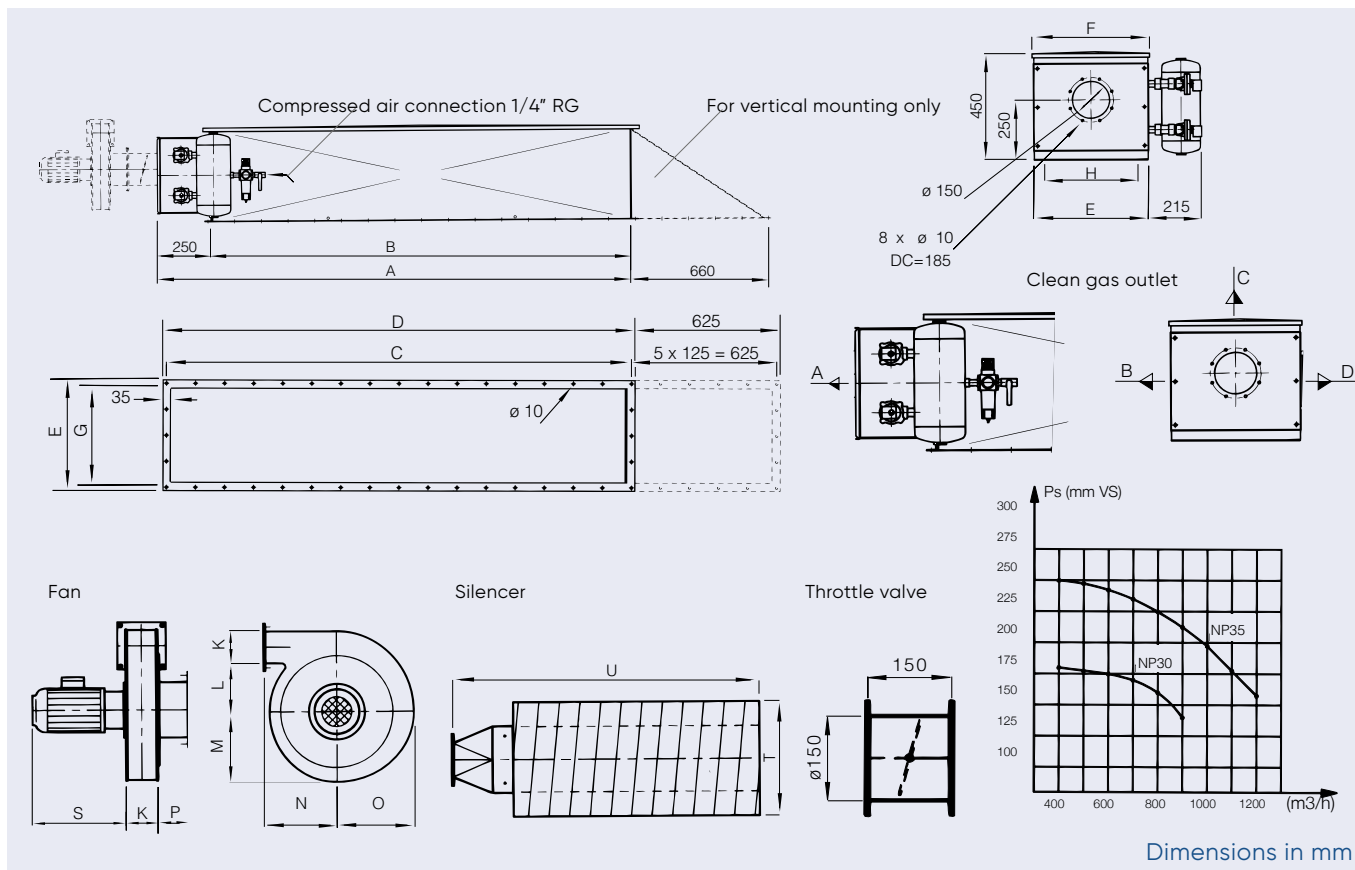
- No contamination of the extracted dust; the separated dust is returned directly to the material flow
- No dust deposits in the ducts
- Reduced risk of fire and dust explosions
- Energy saving. Filter only in operation when conveyance is running
- Existing central or decentral dedusting systems can be expanded easily

DELIVERY

The filters are delivered complete with automatic control for the cleaning system, compressed air regulator with manometer and water drain, ball valve, and accessories in the form of fan, throttle valve, and silencer.

ANDRITZ

ENGINEERED SUCCESS



TECHNICAL DATA

Type	Filter area	A	B	C	D	E	F	G	H	Weight, excl. fan,	Compressed air
	m ²									kg	Nl/min
4/1200	1.8	1585	1335	11 x 125	1405	360	374	3 x 110	290	65	20
4/1800	2.7	2210	1960	16 x 125	2030	360	374	3 x 110	290	82	30
4/2400	3.6	2835	2585	21 x 125	2655	360	374	3 x 110	290	98	35
6/1200	2.7	1585	1335	11 x 125	1405	470	484	4 x 110	400	80	30
6/1800	4.1	2210	1960	16 x 125	2030	470	484	4 x 110	400	100	40
6/2400	5.4	2835	2585	21 x 125	2655	470	484	4 x 110	400	120	50

TECHNICAL DATA

Fan with motor

Silencer

Type	K	L	M	N	O	P	S	Motor	Weight	Dim. T	U	Weight	
								KW	kg			kg	
NP 30	85	130	189	196	206	80	237	1,1	20	ø 160	280	750	8
NP 35	90	163	225	220	240	80	250	2,2	29	ø 200	315	750	9

ANDRITZ Feed and Biofuel A/S
 andritz-fb.dk@andritz.com
 p: +45 72 160 300 / andritz.com/ft



All data, information, statements, photographs and graphic illustrations in this leaflet are without any obligation and raise no liabilities to or form part of any sales contracts of ANDRITZ AG or any affiliates for equipment and/or systems referred to herein. © ANDRITZ AG 2021. All rights reserved. No part of this copyrighted work may be reproduced, modified or distributed in any form or by any means, or stored in any database or retrieval system, without the prior written permission of ANDRITZ AG or its affiliates. Due to legal requirements, we must inform you that ANDRITZ AG processes your data for the purposes informing you about the ANDRITZ GROUP and its activities. Find out more details about our data privacy declaration and your rights under the data protection legislation on our website: andritz.com/privacy. ANDRITZ AG, Stattegger Strasse 18, 8045 Graz, Austria.

